

SecuriFire / SecuriPro

SDI 82X-1

SecuriLine module

SecuriLine eXtended module

As of production version 010411

Area of application	• SecuriPro	FAS
	• SecuriFire	FAS

The SDI 82X-1 is an addressing module for fire detectors or fire detection contacts without integrated addressing. The output is also activated in the event of an emergency alarm when switching from Input 1 (A).

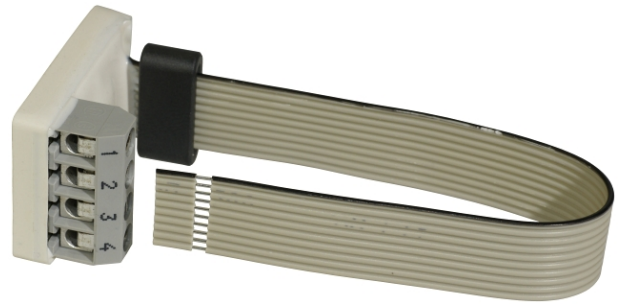


Fig. 1 SDI 82X-1

Description

With the SDI module, fire detectors, alarm contacts, manual call points etc. which have no permanently built-in Line* addressing can be connected to the Line*.

With the **SDI 82X-1**, three inputs and one output can be used. The SDI 82X-1 is emergency-alarm capable (A).

The type of signal of the inputs and outputs can be freely programmed and linked by means of the software.



The SDI 82X-1 may be deployed only in fire alarm systems. Input 1 and the output may be used only for alarm triggerings or displays.

For use in intrusion alarm systems as alarm transmitter or for general controls in IAS or FAS, the SDI 81X-1 or SDI 81X/1-1 must be used.



The distance between SDI and the devices/detectors may be limited by existing FAS regulations. The distance must not exceed 30 cm.

Mounting / installation

Mounting and installation of the SDI is performed directly on or in the detector, device or alarm contact etc. to be connected. The SDI can be built into a surface-mounted or flush-mounted box.



Wires 9 and 10 are not used and have no function.

The Line* is connected to the SDI by means of screw terminals.

The detectors and contacts are connected with the 10-wire ribbon cable.

The distance between the SDI and the devices/detectors should not exceed 0.3 m. If required, the existing connection wires may have to be lengthened for this purpose.



The **standards and VdS compliant** installation as well as the mounting of the SDI and the included ribbon cable ferrite must be implemented as described in the installation instructions (see Additional documents).

One of the included rating plates must be attached to the outside of the installation housing.



Line* = **SecuriLine**
SecuriLine eXtended

Connection

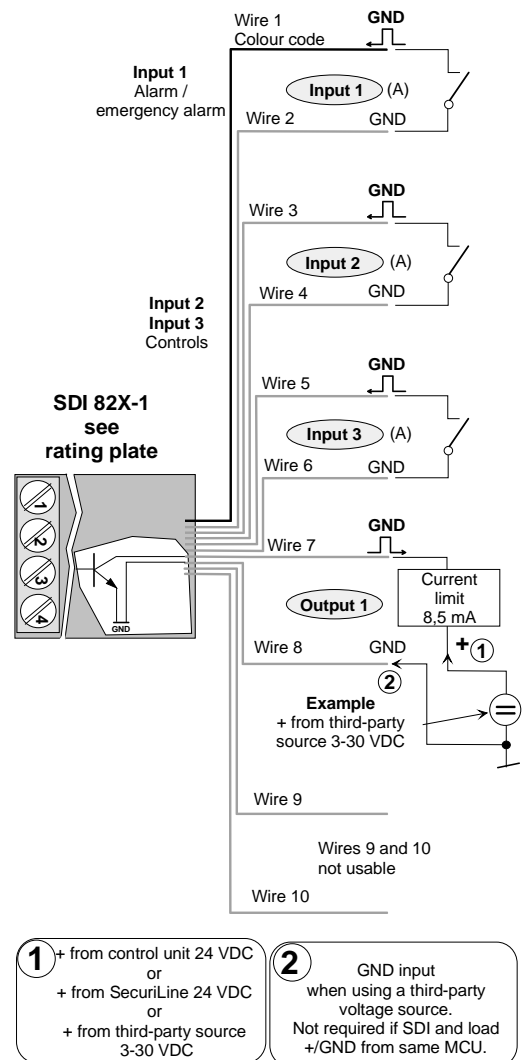


Fig. 2 SDI 82X-1 connection examples



Notice

(A) = only applies to SecuriPro

Data Sheet

Ribbon cable connection		
Wire colour	Designation	Signal
1 colour code	Input 1	GND In
2 grey	Input 1	GND Out
3 grey	Input 2	GND In
4 grey	Input 2	GND Out
5 grey	Input 3	GND In
6 grey	Input 3	GND Out
7 grey	Open collector Output 1	GND Out
8 grey	Output potential	GND
9 grey		
10 grey		

Line* connection		
Wire colour	Designation	Signal
1	Line*	Data In
2	Line*	GND In
3	Line*	Data Out
4	Line*	GND Out

Any present cable screening must be connected by means of terminal.

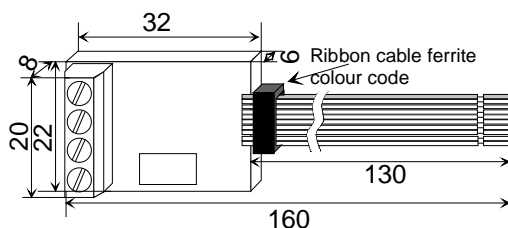


Fig. 3 SDI 82X-1 dimensioned drawing



The enclosed ribbon cable ferrite is to be implemented in accordance with the installation instructions.

Additional documents

Installation instructions	
in the surface-mounted housing	D 140 128
in the USB 501 universal base	D 140 074
in the MCP 521 manual call point	D 140 075
in the RAL 720	D 140 076
in the SPB 651 sprinkler test box	D 140 077

Technical data

Operating voltage from the Line	12–30	VDC
Max. operating current	300	µA
Low input signal range	0 to +0.6	VDC
High input signal range	+2.4 to +3	VDC
Input signal delay	200	ms
Input signal current (pullup) pulsed 10 ms	110	µA
Output signal range, open collector Output 1 current limit:	typically 8.5	mA
Output signal range, open collector voltage range	30	VDC
Ambient conditions acc. to IEC 721-3-3 / EN 60721-3-3 (1995)	3K6 / 3Z1	Class
Ambient temperatures min. / max. (outdoor use, weather protected)	–25 – +70	°C
EU certificate of conformity (EN 54-17/18)	CPR-10-14-105-de-en	
VdS Approval (EN 54-17/18)	G 211046	
Module dimensions without ribbon cable (L x W x D)	approx. 32 x 22 x 14	mm
Line terminals	1.5	mm ²
Ribbon cable length	approx. 130	mm
Weight	approx. 13	g

Changes for index b on pages: 1, 2

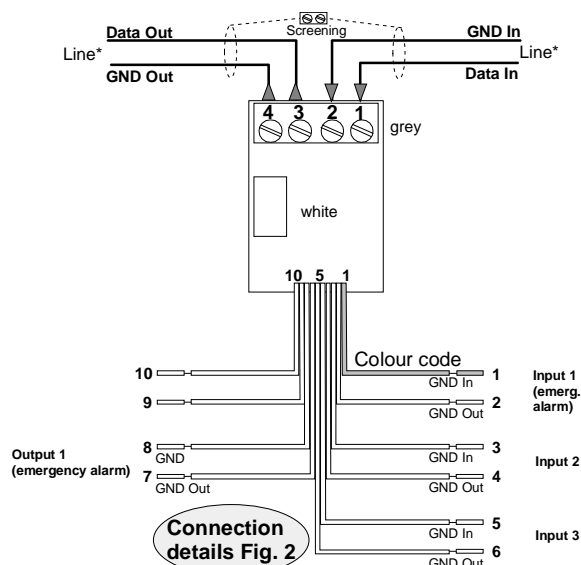


Fig. 4 SDI 82X-1 connection diagram



Line* = SecuriLine
SecuriLine eXtended



It is not permitted to provide external consumers with power from the Line* data line.
Exception: alarm LED max. 10 mA

Article numbers / spare parts

Short designation	Article number
SDI 82X-1 including ribbon cable ferrite	10-1200000-01-01