

RAL 72x

Room indication lamps

Typical application: Alarm indication of fire detectors which are not directly visible e.g. behind doors or which are mounted in a hidden place e.g. false ceiling.

Activation from detector output or via appropriate output module.



Fig. 1
RAL 720, RAL720X



Fig. 2
RAL 721,



Fig. 3
RAL 722

Raised Floor Console

For the mounting of SecuriStar detectors and RAL722 on the ceilings of raised floors



Fig. 4
RAL 723



Fig. 5
RAL 728 Ex



Fig. 6
HKS 718

Room indication lamp RAL 720

Applications

Connection for max. 3 detectors, use in normal environment, surface mounting

Technical Data

Dimensions	85 x 85 x 30 mm
Material: Cabinet	Plastic PC, white
Lens	Plastic transparent, red
Operating voltage UB	6 to 30 VDC
Current consumption at UB (const. curr.)	max. 2.7 mA
Mounting height	Easily visible, e.g. above the door of the appropriate room
Ambient temperature	- 20°C to + 60°C
Protection category acc. to DIN 40050	IP 42
Weight	53 g

Article numbers / spare parts

Brief description	Article number
Room indication lamp RAL 720	019.209 708

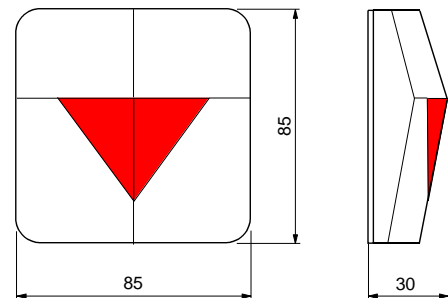


Fig. 7 RAL 720

Room indication lamp RAL 720X

Applications

Connection for max. 3 detectors, use in normal environment, surface mounting

Suitably for SecuriLine eXtended detectors.

Technical Data

Dimensions	85 x 85 x 30 mm
Material: Cabinet	Plastic PC, white
Lens	Plastic transparent, red
Operating voltage UB	5 to 30 VDC
Current consumption at UB (const. curr.)	max. 1 mA
Mounting height	Easily visible, e.g. above the door of the appropriate room
Ambient temperature	- 20°C to + 60°C
Protection category acc. to DIN 40050	IP 42
Weight	53 g

Article numbers / spare parts

Brief description	Article number
Room indication lamp RAL 720X	019.246 336

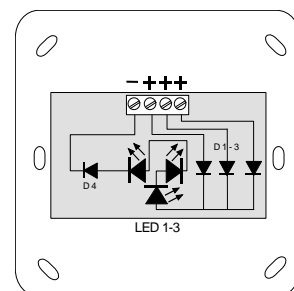


Fig. 8 Connection of RAL 720

Data sheet

Room indication lamp RAL 721

Applications

Use in wet environment, surface mounting

Technical Data

Dimensions	53 x 70 x 53 mm
Material: Cabinet	Plastic PC, white
Lens	Plastic transparent, red
Material	Plastic PC, white
Operating voltage UB	5 to 30 VDC
Current consumption at UB (const. curr.)	max. 4.9 mA
Mounting height	Easily visible, e.g. above the door of the appropriate room
Ambient temperature	- 20°C to + 60°C
Protection category acc. to DIN 40050	IP 65
Weight	55 g
Order Data	

Article numbers / spare parts

Brief description	Article number
Room indication lamp RAL 720	019.210 056
Accessory: LED insert (spare part)	202.210 072

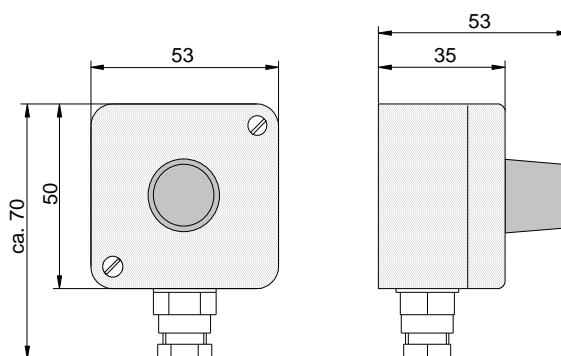


Fig. 9 RAL 721

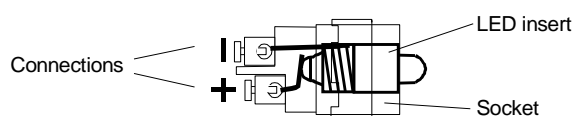


Fig. 10 Connection of RAL 721

Room Indication Lamp RAL 722

Applications

For direct installation in ceiling panels or door frame. Can be used with or without cover plate

Technical Data

Dimensions:	Length	67 mm
	External diameter	20 mm
	Hole diameter	16 mm
	Cover plate	86 x 86 mm
Material:	Socket	Plastic, white
	Lens	Plastic transparent, red
	Term. protection	Rubber bush, black
	Cover plate	Plastic, white
Operating voltage UB		5 to 30 VDC
Current consumption at UB (const. curr.)		max. 4.9 mA
Mounting height		Easily visible, e.g. above the door of the appropriate room or ceiling
Ambient temperature		- 20°C to + 60°C
Protection category acc. to DIN 40050		IP 42
Weight		15 g

Article numbers / spare parts

Brief description	Article number
Room indication lamp RAL 722	019.210 064
Accessory: cover plate	300.192 198
Accessory: LED insert (spare part)	202.210 072

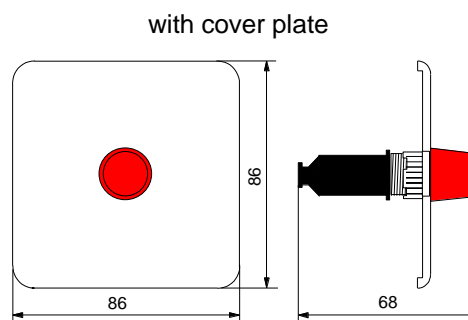
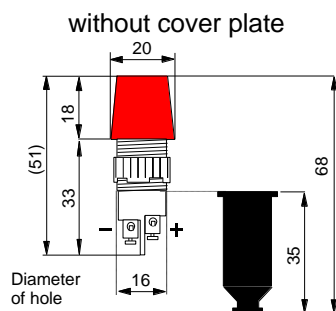


Fig. 11 RAL 722

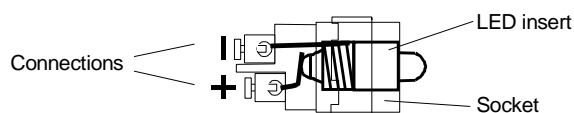


Fig. 12 Connection of RAL 722

Room Indication Lamp RAL 723

Applications

For direct installation in ceiling panels or door frame.

Technical Data

Dimensions:	Length	48,5 mm
	External diameter	20 mm
	Hole diameter	16 mm
Material:	Socket	Plastic, white
	Lens	Plastic transparent, white
	Term. protection	Rubber bush, black
Operating voltage UB		5 to 30 VDC
Current consumption at UB (const. curr.)		max. 4.9 mA
Mounting height		Easily visible, e.g. above the door of the appropriate room or ceiling
Ambient temperature		- 5°C to + 40°C
Protection category acc. to DIN 40050		IP 40
Weight		11 g

Article numbers / spare parts

Brief description	Article number
Room indication lamp RAL 723	019.246 565
Socket for RAL 723	206.246 573
Accessory: LED insert (spare part)	202.210 072

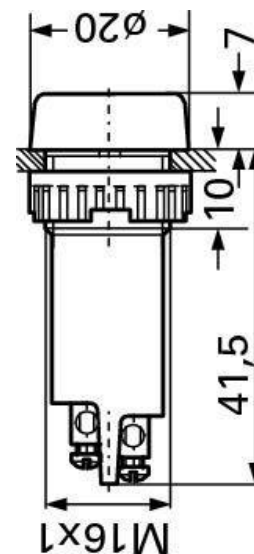


Fig. 13 RAL 723

Room Indication Lamp RAL 728 Ex

Applications

Use in hazardous areas, surface mounting

Technical Data

Dimensions		80 x 93x 72 mm
Material:	Socket	Plastic PC, black
	Lens	Plastic transparent, red
Material		Plastic PC, black
Operating voltage UB		12.. 254 V AC / AD
Tension tolerance		-10... + 6%
Frequency range		0... 60 Hz
Current consumption at UB (const. curr.)		max. 15 mA
Mounting height		Easily visible, e.g. above the door of the appropriate room
Ambient temperature		- 20°C to + 40°C
Protection category acc. to DIN 40050		IP 66
Weight		125 g
Ex-classification		II 2G EX de IIC

Article numbers / spare parts

Brief description	Article number
Room indication lamp RAL 728 Ex	019.249 696

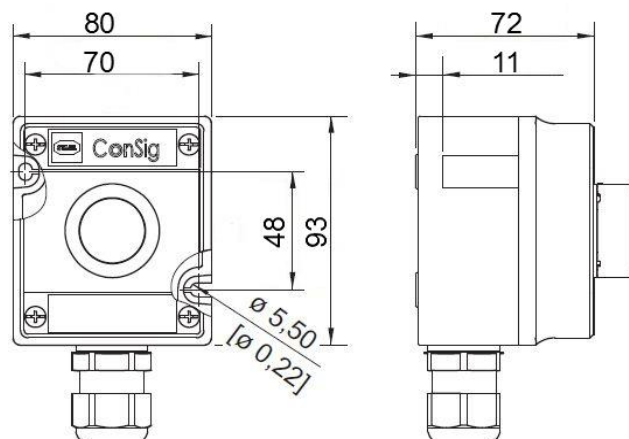


Fig. 14 RAL 728 Ex

Raised Floor Console HKS 718

Technical Data

Dimensions	See Fig. 7
Material	Steel, galvanized
Equippable with:	
Room indication lamp	RAL 722
Detector base	USB 502 screwable
Mounting	with pipe clip on support pipe
Mounting height	within the raised floor on the ceiling
Ambient temperature	- 20°C to + 60°C
Protection category acc. to DIN 40050	IP 42
Weight	490 g

Article numbers / spare parts

Brief description	Article number
Raised Floor Console HKS 718	123.144 223
Accessory RAL 722	019.210 064
Accessory: LED insert (spare part)	202.210 072

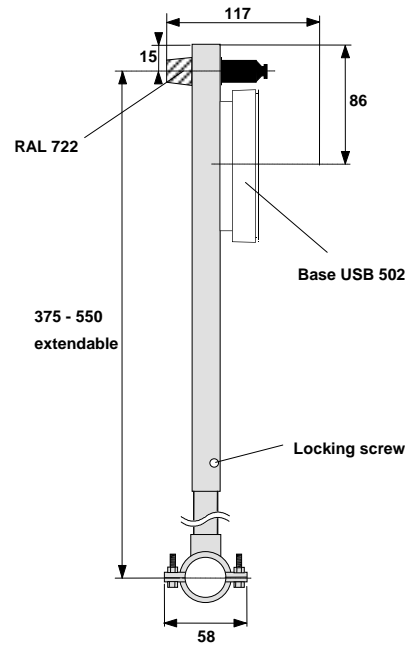


Fig. 15 Raised floor console HKS 718